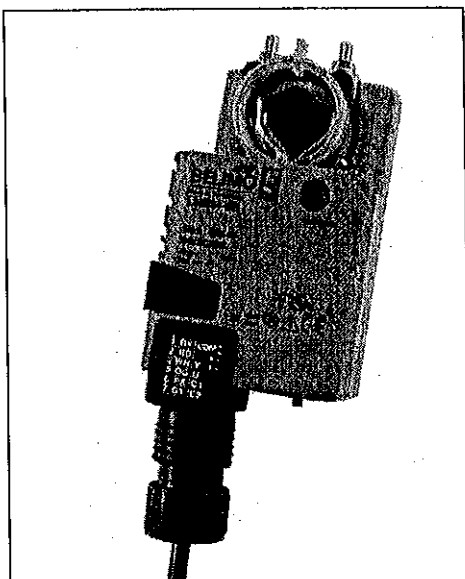


Direct coupled non-spring return actuator, 45 in-lb minimum torque



Torque	45 in-lb [5 Nm]
Power Supply	24 VAC/DC
Angle of Rotation†	95 deg (adjustable with mechanical stops)
Fits Shaft Diameter	1/4" to 3/4" (self-centers on 5/8" shaft)
Position Indication	Reflective Visual Indicator (Snap-On)
Manual Override	External Push-Button
Direction of Rotation†	↻ external switch
Dimensions	6.18" x 2.6" x 2.34" [157 x 66 x 59.4 mm]
Electrical Connection†	3 ft, 18 GA plenum rated cable, 1/2" conduit fitting Terminal Strip (-T) models
Overload Protection	Electronic Throughout Rotation
Auxiliary Switch(es)	(-S) Models: 1 SPDT, 3A (0.5A inductive) @ 250V Add-On: 1 or 2 SPDT, 3A (0.5A inductive) @ 250V
Housing	NEMA 2/IP54, (-T) Models: NEMA 1/IP20



All actuators have Halomo BDCM



Model	Control Input	Feedback	Running Time(s)	VA Rating	Aux. ‡ Switch	Weight (lb)	List Price
BASIC PRODUCTS							
LMB24-3	On/Off, Floating Point	Add-On	95	3	Add-On	1.08	\$ 150.00
LMB24-3-T	On/Off, Floating Point	Add-On	95	3	Add-On	1.08	\$ 130.00
LMB24-3-S	On/Off, Floating Point	Add-On	95	3	Built-In	1.08	\$ 210.00
LMB24-3-P5-T	On/Off, Floating Point	5 kOhm	95	3	Add-On	1.08	\$ 210.00
LMB24-3-P10-T	On/Off, Floating Point	10 kOhm	95	3	Add-On	1.08	\$ 210.00
LMB24-SR	2-10 VDC (4-20mA*)	2-10 VDC	95	3	Add-On	1.08	\$ 238.00
LMB24-SR-T	2-10 VDC (4-20mA*)	Add-On	95	3	Add-On	1.08	\$ 208.00
LMCB24-3	On/Off, Floating Point	Add-On	35	3	Add-On	1.08	\$ 180.00
LMCB24-3-T	On/Off, Floating Point	Add-On	35	3	Add-On	1.08	\$ 160.00
LMCB24-SR	2-10 VDC (4-20mA*)	2-10 VDC	35	3	Add-On	1.5	\$ 268.00
LMCB24-SR-T	2-10 VDC (4-20mA*)	Add-On	35	3	Add-On	1.08	\$ 248.00
LMB24-MFT	2-10 VDC (Default)	2-10 VDC (Default)	150 (Default)	3.5	Add-On	1.5	\$ 298.00

Products Below Replace Standard Products from the 2005 Product Guide and Price List. Please note the new reorder # when ordering.

FLEXIBLE PRODUCTS**							
LMX24-MFT (Default) reorder # LM100 1C1 A01	2-10 VDC (Default) (4-20mA*)	2-10 VDC	150	3.5	Add-On	1.5	\$ 298.00
LMX24-3	On/Off, Floating Point	Add-On	35†	3	Add-On	1.08	\$ 180.00
LMX24-SR	2-10 VDC (4-20mA*)	2-10 VDC	35†	3	Add-On	1.08	\$ 268.00

* With 500 Ohm resistor, ZG-R01

***Specify reorder # when ordering. For a complete list of flexible actuators and options, see the flexible section on page 36.

† Torque level maintained at 45 in-lb. Noise level becomes <45dB(A).

‡ Accessory add-on models are available for auxiliary switches or feedback potentiometers. See page 44 for description and pricing.

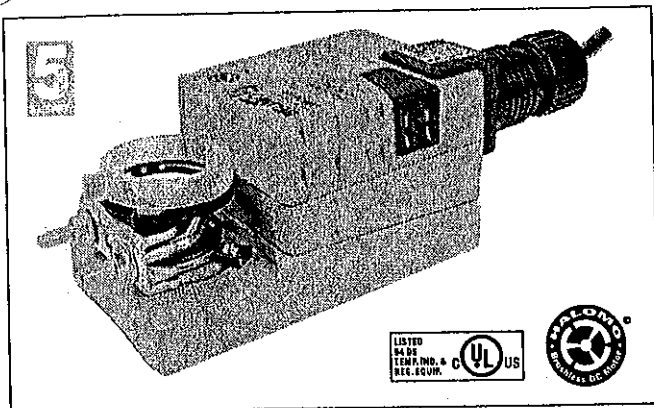
Bulk Packaging	Units/ Carton	List Price
LMB24-3.1	24	\$ 140.00 ea.
LMB24-3-T.1	36	\$ 100.00 ea.
LMB24-3-P5-T.1	36	\$ 200.00 ea.
LMB24-SR.1	24	\$ 228.00 ea.
LMB24-SR-T.1	36	\$ 198.00 ea.

Bulk pack models are the same as standard models except for packaging.

Need an actuator with a longer cable, line voltage power supply or different programming?
Visit our flexible actuator section on page 36 for more information

LMB24-3 (-S)(-T)

On/Off-Floating Point Control, Non-Spring Return, Direct Coupled, 24 V



Torque min. 45 in-lb for control of damper surfaces up to 11 sq ft.

LMB24-3	LMB24-3.1 (bulk)	LMB24-3-P10-T
LMB24-3-T	LMB24-3-T.1 (bulk)	LMB24-3-S
LMB24-3-P5-T	LMB24-3-P5-T.1 (bulk)	

Application

For on-off and floating point control of dampers in HVAC systems. Actuator sizing should be done in accordance with the damper manufacturer's specifications.

The actuator is mounted directly to a damper shaft from 1/4" up to 5/8" in diameter by means of its standard universal clamp. Shafts up to 3/4" diameter can be accommodated by an accessory clamp.

Operation

The actuator is not provided with and does not require any limit switches, but is electronically protected against overload. The anti-rotation strap supplied with the actuator will prevent lateral movement.

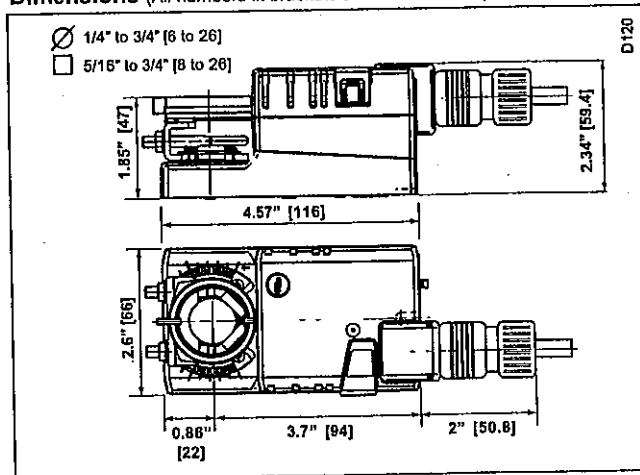
The LMB series provides 95° of rotation and a visual indicator which indicates position of the actuator. When reaching the damper or actuator end position, the actuator automatically stops. The gears can be disengaged with manual release on the actuator cover.

The LMB24-3... actuators use a sensorless Brushless DC motor, which is controlled by an Application Specific Integrated Circuit (ASIC). The ASIC monitors and controls the actuator's rotation and provides a digital rotation sensing (DRS) function to prevent damage to the actuator in a stall condition. Power consumption is reduced in holding mode.

The LMB24-3-S version is provided with 1 built-in auxiliary switch. This SPDT switch is provided for safety interfacing or signaling, for example, for fan start-up. The switching function is adjustable 0 to 95°. The auxiliary switch is double insulated so an electrical ground connection is not necessary.

Add on auxiliary switches or feedback potentiometers are easily fastened directly onto the actuator body for signaling and switching functions.

Dimensions (All numbers in brackets are in millimeters.)



Technical Data	LMB24-3... on/off-floating
Power Supply	24 VAC ± 20% 50/60 Hz 24 VDC ± 10%
Power Consumption	1.5 W (0.2 W)
Transformer Sizing	3 VA (Class 2 power source)
Electrical Connection	3 ft, 18 GA plenum rated cable 3 ft, 18 GA appliance rated cable (-S) 1/2" conduit connector
Overload Protection	electronic throughout 0 to 95° rotation
Control	on/off, floating point
Input Impedance	600Ω
Angle of Rotation	max. 95°, adjust. with mechanical stop
Torque	45 in-lb [5 Nm]
Direction of Rotation	reversible with switch
Position Indication	reflective visual indicator (snap-on)
Manual Override	external push button
Running Time	95 seconds, constant independent of load
Humidity	5 to 95% RH non condensing (EN 60730-1)
Ambient Temperature	-22°F to +122°F [-30°C to +50°C]
Storage Temperature	-40°F to +176°F [-40°C to +80°C]
Housing	NEMA 2/IP54
Housing Material	UL94-5VA
Agency Listings	cULus acc. to UL 60730-1/-2-14 and CAN/CSA C22.2 No.24, CE according to 73 / 23 / EEC
Noise Level	<35dB(A)
Servicing	maintenance free
Quality Standard	ISO 9001
Weight	1.1lbs [0.5 Kg]
LMB24-3-S	
Auxiliary switch	Adj. 0° to 100°, SPDT 3 A (0.5A) @ 250 VAC
Weight	1.4lbs [0.6 Kg]
LMB24-3-P10-T	
Electrical connection	Screw terminal (for 26 to 14 GA wire)
Feedback	10 kΩ, 1W potentiometer
LMB24-3-P5-T (bulk pack only)	
Feedback	5 kΩ, 1W potentiometer
Housing	NEMA 1/IP20
LMB24-3-T	
Electrical connection	Screw terminal (for 26 to 14 GA wire)
Housing	NEMA 1/IP20

LMB24-3 (-S)(-T)

On/Off-Floating Point Control, Non-Spring Return, Direct Coupled, 24 V

Accessories

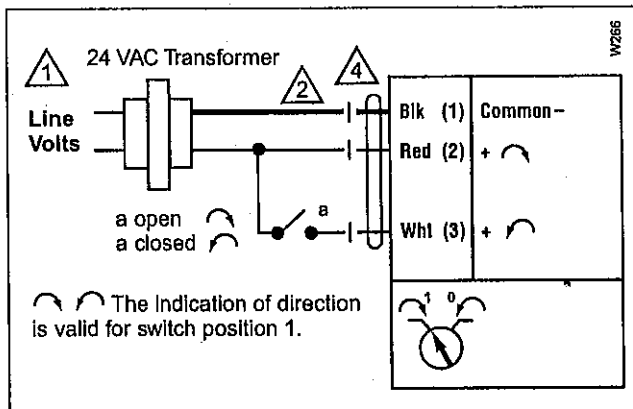
K-LM20	3/4" [20 mm] Shaft Clamp
AV6-20	Shaft Extension
ZG-LMSA	Shaft Adaptor for 1/2" Diameter Shafts
ZG-LMSA-1	Shaft Adaptor for 3/8" Diameter Shafts
ZS-T	Terminal Cover for NEMA 2
ZS-100	Weather Shield - Steel
ZS-150	Weather Shield - Polycarbonate
Tool-06	8 mm & 10 mm Wrench
S1A, S2A	Auxiliary Switch (es)
P370	Shaft Mount Auxiliary Switch
P...A	Feedback Potentiometers

Note: When using LMB24-3... actuators, only use accessories listed on this page.

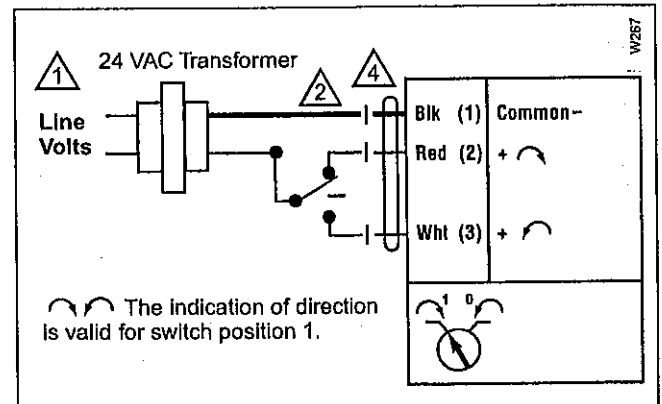
LMB24-3 - Typical Specification:

Floating point, on/off control damper actuators shall be electronic direct-coupled type, which require no crankarm and linkage and be capable of direct mounting to a shaft from 1/4" to 5/8". Shafts up to 3/4" diameter can be accommodate with an accessory clamp. Actuators shall have Brushless DC motor technology and be protected from overload at all angles of rotation. Actuators shall have reversing switch and manual override on the cover. If required, actuator will be provided with screw terminal strip for electrical connections (LMB24-3-T). If required, actuators shall be provided with one adjustable SPDT auxiliary switch. Actuators with auxiliary switches must be constructed to meet the requirements for double insulation so an electrical ground is not required to meet agency listings. Run time shall be constant and independent of torque. Actuators shall be cULus listed, have a 5-year warranty, and be manufactured under ISO 9001 International Quality Control Standards. Actuators shall be as manufactured by Belimo.

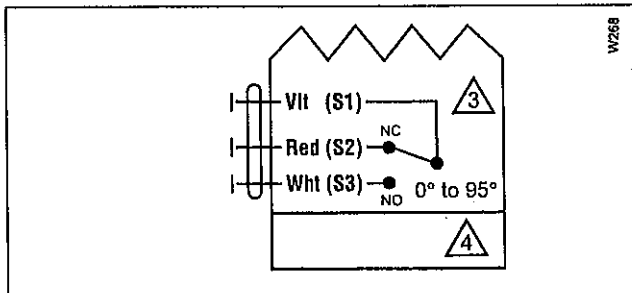
Wiring



On/Off



Floating Point or On/Off control



Auxiliary Switch of LMB24-3-S

Notes:

- 1 Provide overload protection and disconnect as required.
- 2 Actuators may also be powered by 24 VDC.
- 3 For end position Indication, interlock control, fan startup, etc., xMB24-3-S incorporates one built-in auxiliary switches: 1 x SPDT, 3A (0.5A) @250 VAC, UL listed, adjustable 0° to 95°.
- 4 Meets cULus requirements without the need of an electrical ground connection.